

# DURAMOV® Plastic Cable Carriers

DURAMOV® 塑料电缆拖链

## C04 静音型电缆拖链

### Quiet cable carriers, light and cleanroom suitable

C04静音型电缆拖链重量轻、适用于无尘环境；特殊弹性结构转动连接设计，消除拖链运动中的撞击噪音，且电缆拖链即使在高速运动中也能保持平稳无振动。

C04 quiet cable carriers are very light and cleanroom suitable, the special elastic structure design for rotation connection eliminates the impact noise in the movement, making them ideal for highly dynamic and cleanroom applications.



可从两侧打开  
Openable from both sides



46dB, V=1.8m/s  
CSB实验室数据CSB lab test  
拖链Carrier: C04.28.050.055



阻燃等级 Flammability Class  
UL94 HB



符合CE 标准 Compliance European



RoHS认证 certification



低噪音 Low-noise

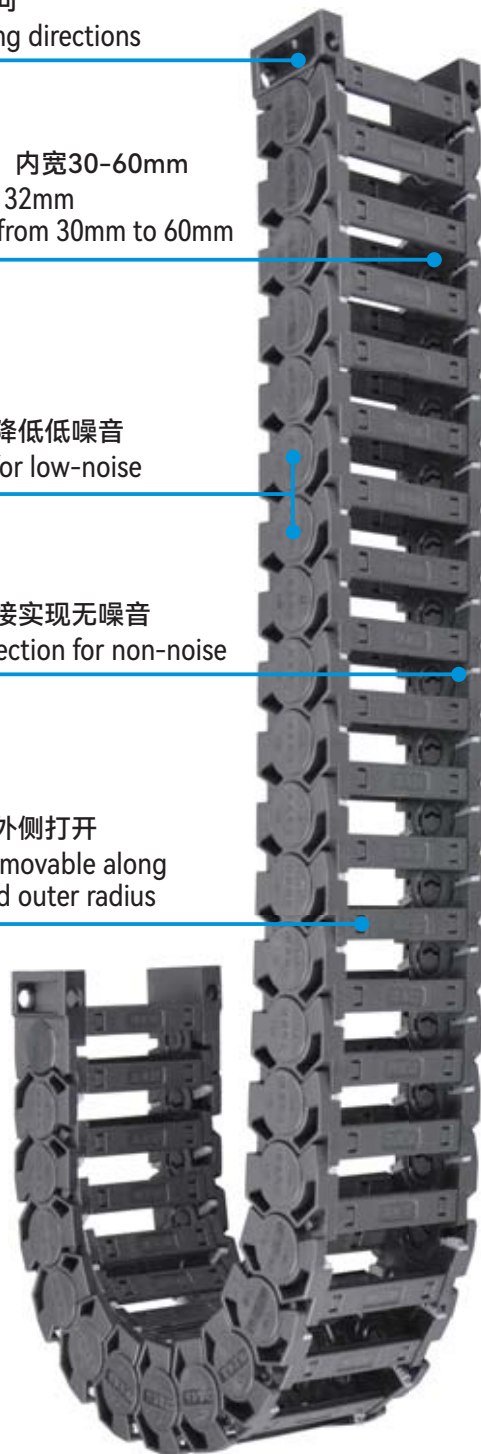
多个固定方向  
Multiple fixing directions

内高28mm, 内宽30-60mm  
Inner height 32mm  
Inner width from 30mm to 60mm

小节距设计降低低噪音  
Small pitch for low-noise

特殊弹性连接实现无噪音  
Elastic connection for non-noise

横杆可沿内外侧打开  
Crossbars removable along  
the inner and outer radius



C04

DURAMOV®

www.csb-ep.com  
sales@csb-ep.com

电话: 0573 84186133/84185527  
Tel: 0086 573 84187009

## 标准尺寸 Standard dimensions

静音型电缆拖链 Quiet cable carriers, light and cleanroom suitable	产品编码 Part No.	内宽 Bi	外宽 Ba	内高 Hi	外高 Ha	弯曲半径 R	架空长度	页码
		Inner width [mm]	Outer width [mm]	Inner height [mm]	Outer height [mm]	Bend radius [mm]	Unsupported length [m]	Page
	C04.28	30-60	46-76	28	35	55-150	≤1.0	P82

## 安装说明 Installation



弹性元件插入侧板  
Insert elastic parts into side plates



并排排列两个内侧链接并附加一个外侧链接  
Line up two inner side links side by side.  
Attach an outer side link between



推入与销卡合  
Push, click and snap in pin



横杆安装-从一侧卡入  
Assemble crossbars - push down and snap from one side



按压横杆卡入到位  
Press crossbar and snap in place



拆卸横杆  
Remove crossbars  
螺丝刀插入槽中利用杠杆运动撬开横杆  
Insert screwdriver into the slot. Using a lever action, release the crossbars

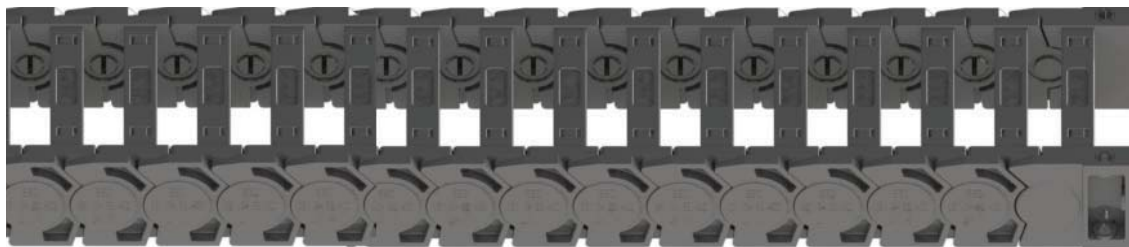
## 典型适用行业和应用 Typical Applicable Industries and Applications

- 洁净室应用
- 印刷机
- 搬运和机器人
- 测量机
- 半导体行业
- 医疗行业
- 电子行业
- 通用机械
- Cleanroom applications
- Printing machines
- Handling & robots
- Measuring machines
- Semi-conductor industries
- Medical industries
- Electronic industries
- General machinery

# DURAMOV® Plastic Cable Carriers

## DURAMOV® 塑料电缆拖链

### C04.28 静音型电缆拖链 Quiet cable carriers, light and cleanroom suitable



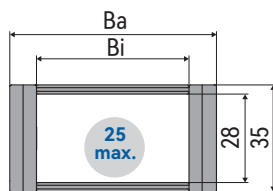
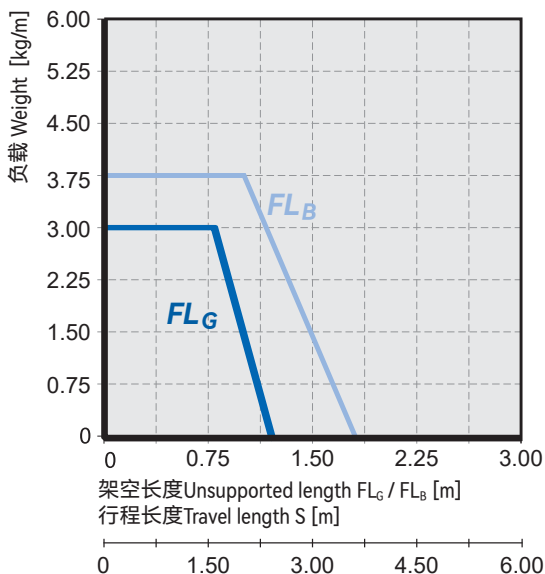
C04.28

DURAMOV®

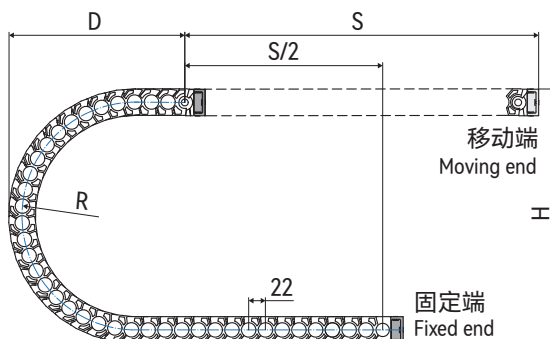
### 标准尺寸 Standard dimensions

产品编码 Part No.	内宽 Bi Inner width [mm]	外宽 Ba Outer width [mm]	内高 Hi Inner height [mm]	外高 Ha Outer height [mm]	弯曲半径 R	重量 Weight [kg/m]
C04.28.30	30	46	28	35	055 075 100 150	0.73
C04.28.40	40	56	28	35	055 075 100 150	0.75
C04.28.50	50	66	28	35	055 075 100 150	0.78
C04.28.60	60	76	28	35	055 075 100 150	0.80

### 安装尺寸 Installation dimensions



内高 Inner height  $B_i$ : 28mm  
 节距 Link pitch T: 22mm  
 链节数 Link quantity: 46pcs/m  
 安装高度 Clearance height  $H_f$ :  $H+40$ mm  
 拖链长度 Carrier length:  $S/2+K$



\*如果安装空间受到限制请咨询CSB®。 Please consult CSB® if space is particularly restricted.

R	055	075	100	150
H	180	220	270	370
D	108	128	153	203
K	220	280	360	520

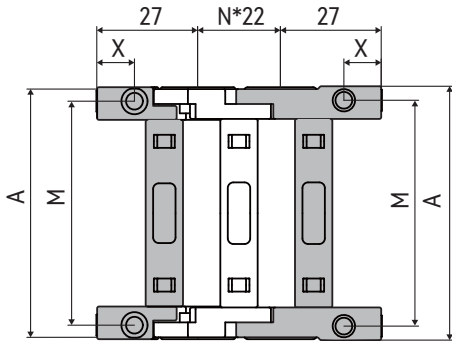
实际安装高度 The required clearance height:  $H_f=H+15$ mm (负载 Fill weight 0.3kg/m)

www.csb-ep.com  
sales@csb-ep.com

电话: 0573 84186133/84185527  
Tel: 0086 573 84187009

## 拖链接头尺寸 Mounting bracket dimensions

1: 移动端 Moving end 0: 固定端 Fixed end



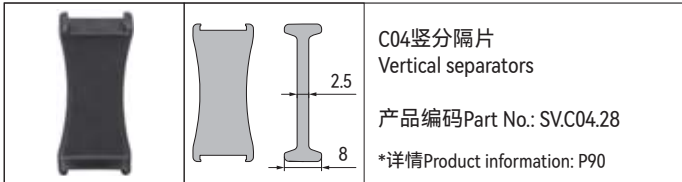
产品编码 Part No.:

C04.28.30.0

- 0: 固定端 Fixed end
- 1: 移动端 Moving end
- 拖链内宽 Inner width
- 拖链内高 Inner height
- 拖链系列 Carrier series

产品编码 Part No.	拖链内宽 Inner width Bi [mm]	A [mm]	X [mm]	M [mm]
C04.28.30.0/1	30	57.5	10	40
C04.28.40.0/1	40	67.5	10	50
C04.28.50.0/1	50	77.5	10	60
C04.28.60.0/1	60	87.5	10	70

## 附件 Accessories



## 技术参数 Installation dimensions

	架空长度 Unsupported length	≤ 1m	速度/加速度 Speed / acceleration FL <sub>G</sub>	≤ 3 [m/s] / 8 [m/s <sup>2</sup> ]
	滑行距离 Sliding length	不适用 Inapplicable	速度/加速度 Speed / acceleration FL <sub>B</sub>	≤ 2 [m/s] / 4 [m/s <sup>2</sup> ]
	竖直悬挂 Vertical hanging	≤ 5m	滑行速度/加速度 Sliding speed / acceleration	不适用 Inapplicable
	垂直站立 Vertical standing	≤ 0.5m	允许温度 Permitted temperature	-40°C ~120°C
	侧向架空 Side-unsupported length	≤ 0.5m	阻燃等级 Flammability Class	UL94 HB

## 预装拖链订购编码 Order code for pre-assembled cable carriers

拖链本体 Body					附件 Accessories
<b>C04 . 28 . 30 . 055 . 020 .</b>					<b>SV0203</b>
拖链系列 Carrier series	内高 Inner height	内宽 Inner width	弯曲半径 Bend radius	链节数量 Link quantity	竖分隔片 Vertical separators
					①

① SV0203: 每间隔2pcs空链节安装3pcs竖分隔片 Install 3pcs vertical separators every other 2pcs blank links